

NRFit®

Connector Design for Enhanced Patient Safety



Regional Anesthesia



Neurology

PAJUNK®

Real People. Real Care.

What is NRFit®?

- » Connector designed to meet the ISO 80369-6 standard
- » For Neural and Regional Anesthesia applications
- » Complements the established LUER connector
- » LUER and NRFit® misconnections on patient socket connectors are not possible
- » Aims to reduce the risk of misconnections
- » Helps to prevent potentially fatal wrong route injections
- » Enhances overall patient safety



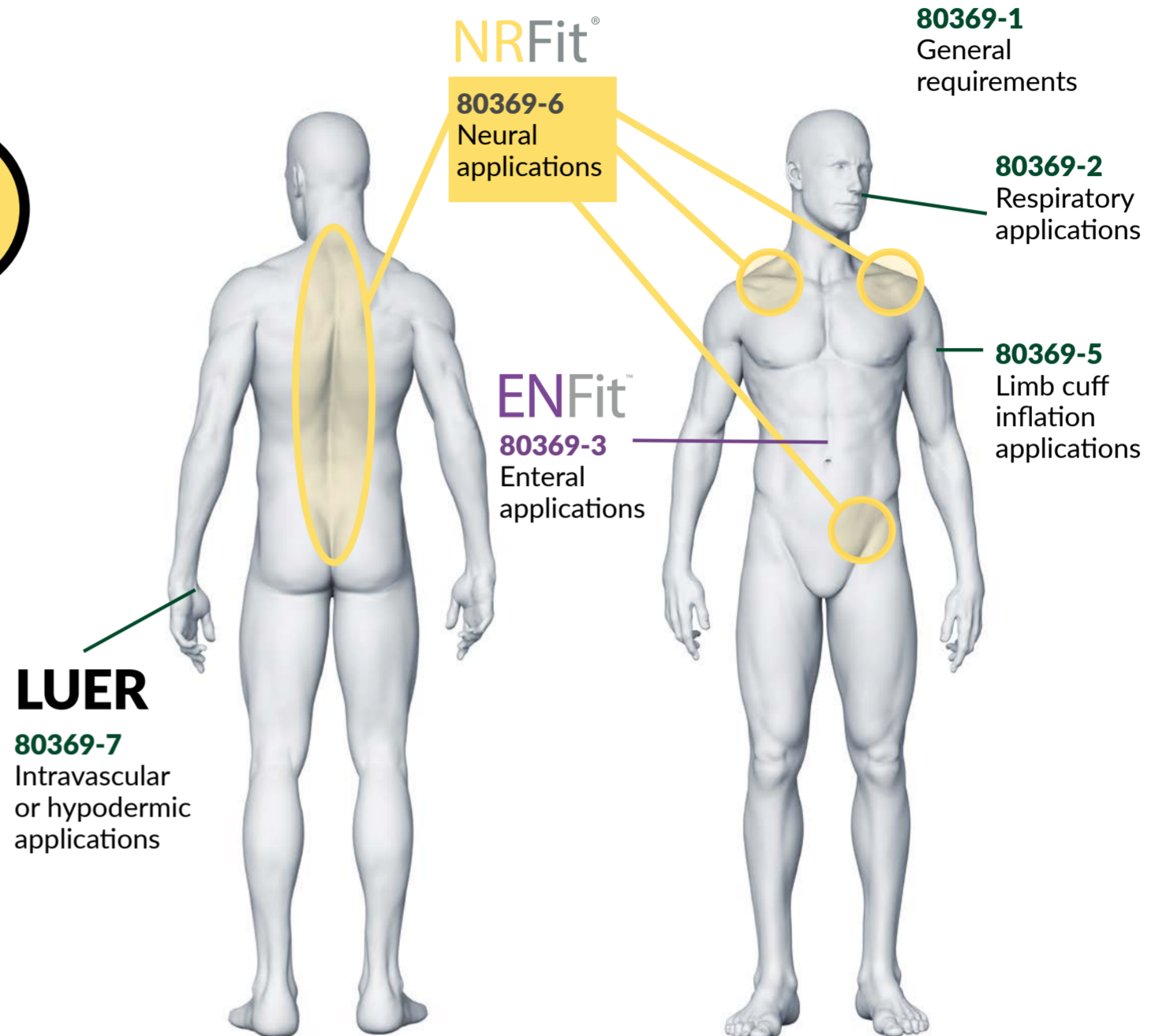
Extensive PAJUNK NRFit® Portfolio with up to 600 Individual Products

- » Spinal/Epidural/Combined Spinal-Epidural
- » Nerve Blocks
- » Wound Infiltration
- » Lumbar Puncture

Ready to Use – Standard and Customized NRFit® PAJUNK Sets

- » For the indications listed above with NRFit® components (syringes, draw-up needles, straws, etc.)

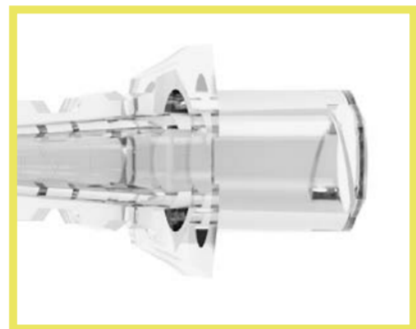
ISO 80369 has been defined for the shown system-specific application areas



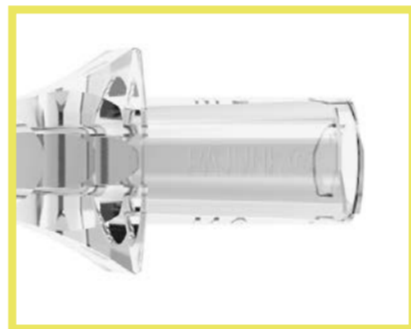
NRFit® at a Glance – What Changes?

Slight Design Changes but Handling Stays the Same.

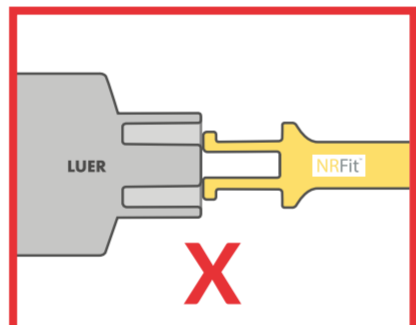
LUER



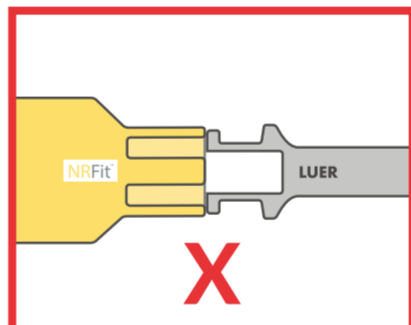
NRFit®



LUER X NRFit®



NRFit® X LUER



New Connector

All connectors of the needles and components are affected by the changes:

- » Cones and sockets of NRFit® connectors have a smaller diameter than those of LUER connectors.
- » The NRFit® slip connector is equipped with an additional outer tubus element.

Avoidance of Misconnections

Accidental interconnections are impossible:

- » NRFit® connectors can't be connected to LUER socket connectors and vice versa.
- » For a better distinguishability NRFit® components are color-coded in yellow.

Clear Labelling and Product Identification

Yellow NRFit® markings on products and packaging.



PAJUNK NRFit® Service: Planning, Partnering and Operational Support

PAJUNK supports you with the necessary information, helps to correctly assess challenges during the conversion process and accompanies in the development of the conversion concept with various services:

- » Procurement management
- » Storage
- » Medical application



NRFit® is a registered trademark of GEDSA, used with their permission.



Change in product name

Products that meet this standard (ISO 80369-6) are given the additional appendix "NRFit®".



FOR FURTHER INFORMATION

info@pajunk.com
www.pajunk.com